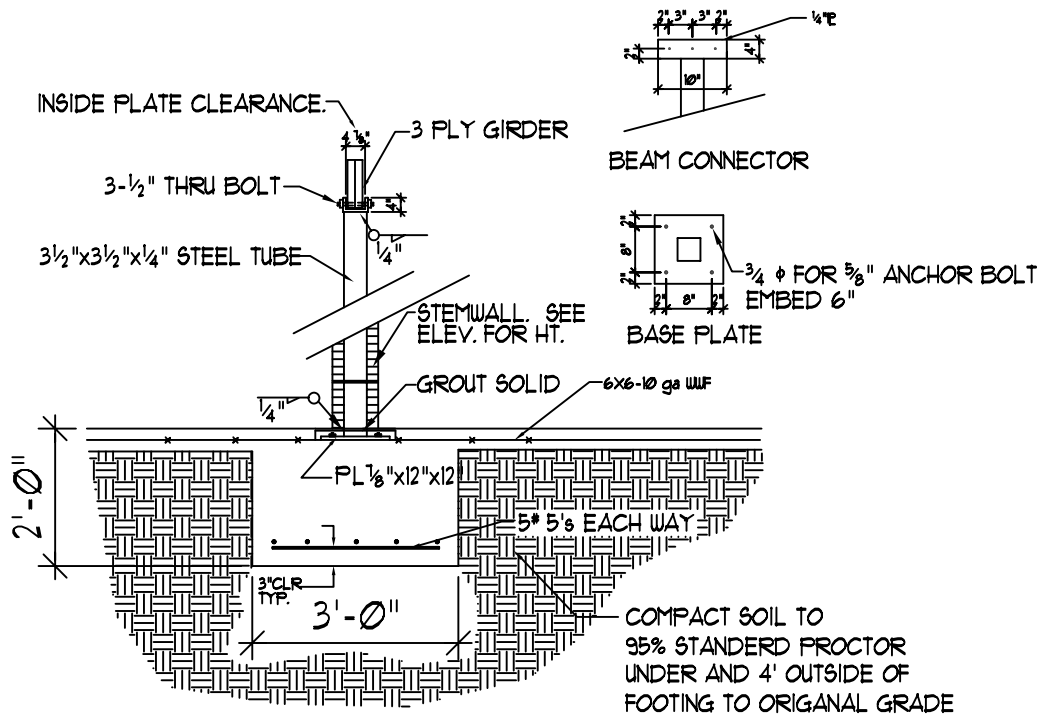


STEEL COLUMN DETAIL

SCALE: 3/4" = 1'-0"

C

60C



STEEL COLUMN DETAIL

SCALE: 3/4" = 1'-0"

D

60D

MICHAEL GRAY'S

FULL SPECTRUM INC.

C.A.D. DRAFTING
& DESIGN SERVICE
1970 E. OSCEOLA PARKWAY #161
KISSIMMEE, FL 34743

OFFICE TELEPHONE # (321) 284-0167
CELL PHONE # (321) 624-8645

WWW. INFINITYHOMEPLANS.COM