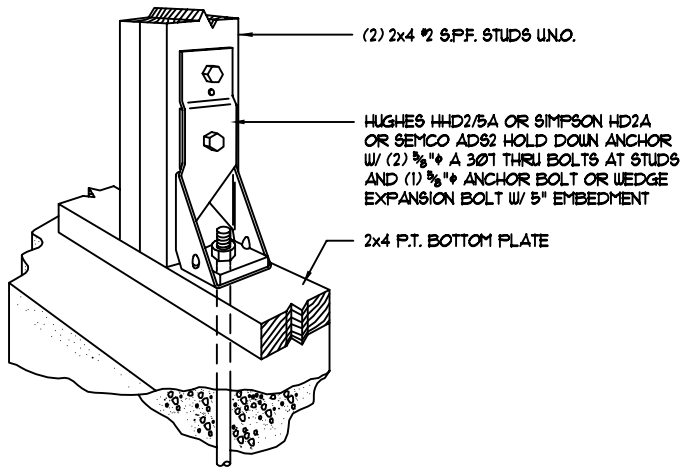
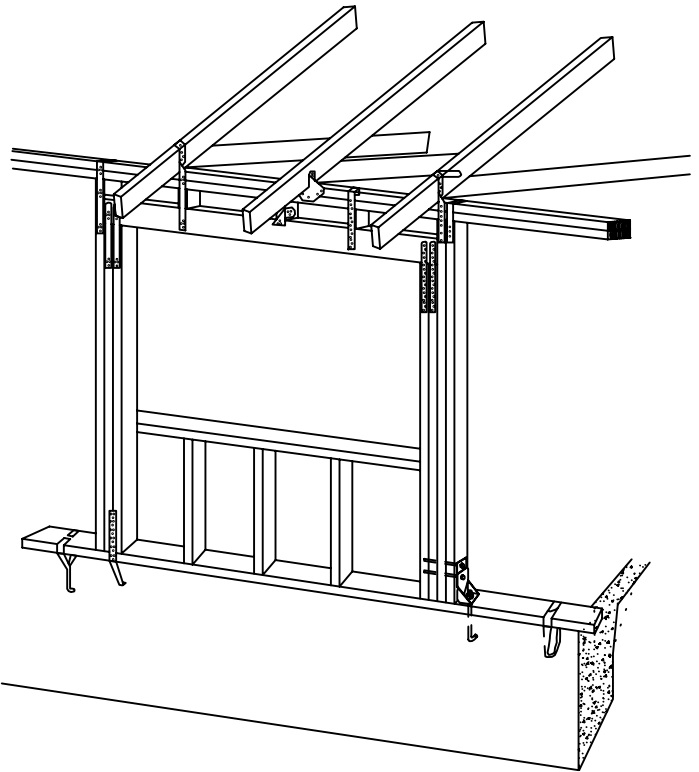
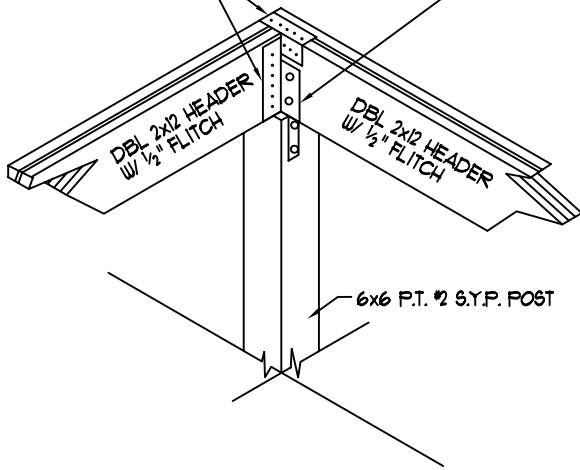


SIMPSON HUSC412TF
W/ 10-16d # HDR
AND 8-16d # JOIST

SIMPSON EPC46 # CORNERS
W/ 8-16d # HDR
AND 8-16d # POST



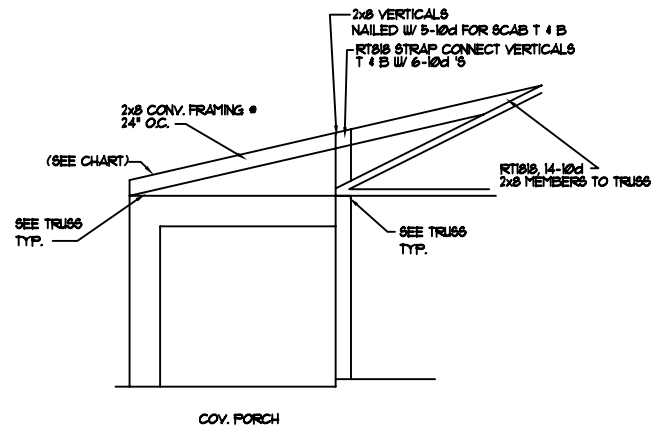
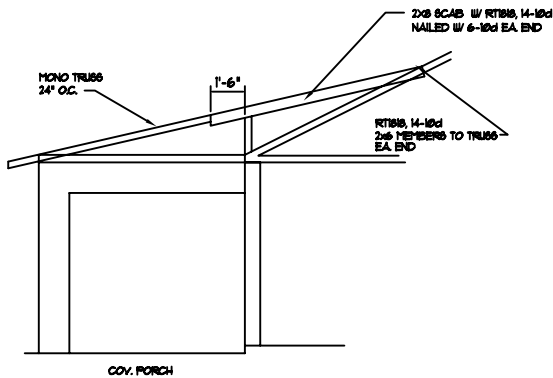
DETAIL 54
SCALE: N.T.S.

54

**SHEAR WALL
HOLDOWN CONNECT. DETAIL**

SCALE: N.T.S.

19



**COVERED PORCH
FRAMING DETAIL**

SCALE: 3/4"=1'-0"

69B

**COVERED PORCH
FRAMING DETAIL**

SCALE: 3/4"=1'-0"

69

MICHAEL
GRAY'S

FULL SPECTRUM INC.

C.A.D. DRAFTING
& DESIGN SERVICE
1970 E. OSCEOLA PARKWAY #161
KISSIMMEE, FL 34743

OFFICE TELEPHONE # (321) 284-0167
CELL PHONE # (321) 624-8645

WWW. INFINITYHOMEPLANS.COM